

## Features:

- Perkins engine
- Leroy Somer Alternator, Class H
- Genset Canopy IP44 protection, Control panel IP56 protection
- Control module PLC-920
- Breaker: ABB 3200A
- Speed governor: Electronic governor
- Excitation system: Brushless
- A.V.R model: R449
- 50°C radiator
- Fire extinguisher
- Oil pump on the engine
- ATS receptacle
- Lockable battery isolator switch
- Vibration isolators between the engine/Alternator and base frame
- Integrated wiring design
- High water temperature protection
- Steel base frame with forklift slots
- Big daily fuel tank



### Output Ratings

Generator Set Model	Prime Power		Standby Power	
	kVA	kW	kVA	kW
WPS2250S	2250	1800	2475	1980

Ratings at 0.8 power factor

### Dimensions and Weights

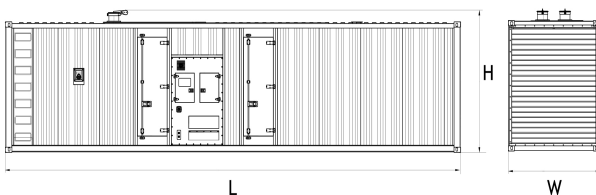
Model	L x W x H-mm	Dry Weight-kg
WPS2250S	12192x 2438x 2896	25530

#### Notes:

**\*Prime Power** Continuous duty operation, under variable load 24/24h-10% over load permissible 1 hour/12 hours;

**\*\*Standby Power** Standby duty, operation under variable load, without over load;

**Standard Reference Conditions** Note: Standard reference conditions 25°C (77°F) Air Inlet Temp, 100m(328 ft) A.S.L. 30% relative humidity.



### Ratings and Performance Data

Engine Brand	Perkins
Engine Model	4016-61TRG3
Alternator Brand	Leroy Somer
Alternator Model	LSA52.3L9
Control System	PLC-920
Circuit Breaker Type	ABB 3200A
Frequency / Phase	50Hz/3Phase
Engine Speed (RPM)	1500
Fuel Tank Capacity (L)	2500
Fuel Consumption (L/h) (100%load)	473
Model Type	Containerized
Standard Package	Plastic
Noise Level@7m (dBA)	93.6
Generator set Manufacture	PowerLink
Oil Consumption (L/h)	0.52
Volatage (V)	380/400/415/440
Silencer Noise Reduction (dBA)	10-20



## Engine Model:4016-61TRG3

### Engine Technical Data

Engine Model	4016-61TRG3
Engine Brand	Perkins
Number of Cylinders	16
Cylinders Arrangement	Vee
Bore/Stroke (mm)	160/190
Speed (RPM)	1500
Displacement (L)	61.1
Compression Ratio	13
Air Intake system	Turbocharge aftercooler
Cooling Method	Water cooled
Coolant Capacity (L)	339
Prime Power (kWm)	1875
Standby Power (kWm)	2083
Governing Type	Electronic
Back Pressure (mmhg)	4
Battery (V)	24V

### Fuel System

Fuel Tank	steel			
Fuel Tank Capacity (L)	2500			
Fuel tank type	Double-layer			
Recommended Fuel Type	0# or ASTM2			
Injection System	Direct injection			
<b>Fuel Consumption:</b>				
WPS2250S	100% Load	75% Load	50% Load	25% Load
L/h	473	346	235	108.1

(Based on diesel fuel with a specific gravity of 0.85 and conforming to BS2869, Class A2)

### Lubrication System

Lube oil label	
Maximum Oil Temp. (°C)	105
Oil capacity (L)	213

### Exhaust and silencer System

Exhaust Air Flow (m³/hr)	31500
Exhaust Air Temp. (°C)	560
Maximum Allowable Back Pressure (mmhg)	4
NOx (mg/Nm³)	
Silencer Quantity	1
Silencer Type	Industrial silencer

### Cooling System

Radiator	50
Coolant Capacity (L)	339
Coolant Change Time (Year/h)	2/10000
Coolant Intake Temp. (°C)	40
Coolant Output Temp. (°C)	101

Designed to operate in ambient conditions up to 50°C (122°F)

### Air Intake system

Air Filter Type	Dry type
Intake Air Flow (m³/h)	10500
Intake System	Turbocharge aftercooler
Intake Air Temp. (°C)	25

### Conditions

Altitude (m)	
Ambient Temp. (°C)	-5°C-50°C
Barometric Pressure (kpa)	100
Relative Humidity	< 80%



## Alternator Model:LSA52.3L9

### Alternator Physical Data

AVR Model	R449
Alternator Brand	Leroy Somer
Alternator Model	LSA52.3L9
Excitation System	Brushless
Housing Protection	IP23
Power Factor	0.8
Rated Stator Temp. rise (°C)	125
Rotor Insulation Class	H
Voltage Fluctuation(no load to full load)	±0.5%
Winding Pitch	2/3
Wiring Connection	Series Star

### Performance Data

Time constants/400V (Ms)	T'd	0.154s
	T''d	0.02s
	T'do	2.54s
	Ta	0.02s
Short-circuit current (3 IN / 10 s)	300 % (3 IN) : 10s	
SHORT CIRCUIT RATIO	1/Xd	
Reactances (Per Unit)	Xd	
	X'd	
	X''d	

### Alternator Operating Data

Overspeed (rpm)	2250
Voltage Regulation(Steady state)	± 1.0 %
THF(BS EN60034-1)	< 50
TIF(NEMA MG 1-22)	< 2%
Air Flow (m <sup>3</sup> /s) -Alternator 50Hz/60Hz	2.69
Altitude-Alternator (m)	1000

### Voltage Technical Data

Voltage	Prime		Standby	
	kVA	kW	kVA	kW
380V@50Hz	2360	1888	2596	2076
400V@50Hz	2360	1888	2596	2076
415V@50Hz	2360	1888	2596	2076
415V@60Hz	2445	1956	2689	2151
440V@60Hz	2583	2066.4	2841	2273
480V@60Hz	2832	2265.6	3115	2492

**WPS2250S/** 1000021167

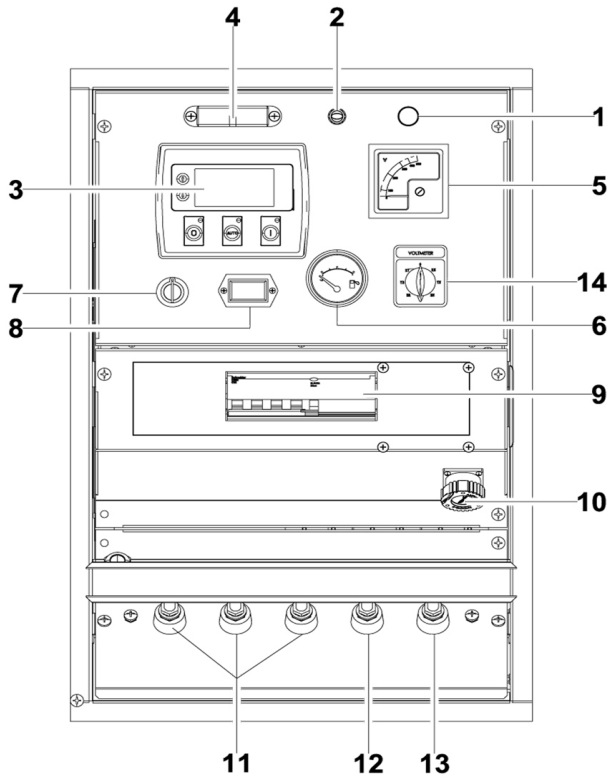
2250kVA, Containerized, 4016-61TRG3, LSA52.3L9, 3phase,  
AutoGen



**MULTIPHASE**  
**POWER**

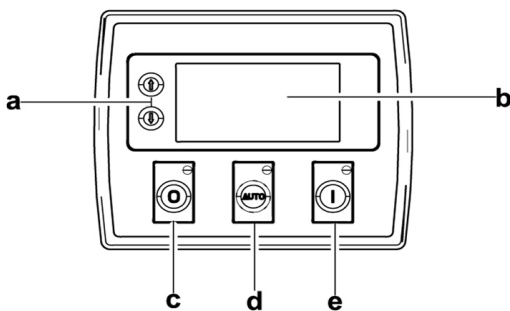
**Overall Dimensions**

Control System



Control & field wiring cabinet

Ref.	Description
1	Charge indicator
2	Control cabinet lamp switch
3	Control module
4	Control cabinet lamp
5	Voltage meter
6	Fuel level meter
7	Key switch
8	Time counter
9	Main circuit breaker
10	Mains input /ATS /Remote communication connector
11	Live wire terminal
12	Neutral wire terminal
13	Ground wire terminal
14	Voltmeter change-over switch



Control module

Ref.	Description
a	Navigation button; Accept (Configuration mode only)
b	Main status display
c	Stop/reset button; Next page (Configuration mode only)
d	Auto start button; Decrease value/next item (Configuration mode only)
e	Start button; Increase value/next item (Configuration mode only)



**Product Standard Configuration**

Alternator	Control System	Fuel System	Lubrication System	Cooling System
Alternator A.V.R	PLC-7420 Control System Observation Window and Control Door Air Breaker External Cable Connection Cable Line Slot	Inbuilt Fuel Tank Water Separator Fuel Prefilter Fuel Tank Drain Fuel Level Control Panel Display Oil Pan	Lube Oil Drain Pump Lube Oil Temperature Sensor	50°C Radiator External Water Inlet Protection Mesh for Fan and Revolving Parts
Air intake system	Exhaust system	Shipment and Installation	Safety protection devices	Technical documents
Air Filter Intake Air Filter Screen Intake Air Silencer	Industrial Silencer Heat Insulation Protective Sleeve Exhaust Outlet with Flexible Heat Hand Protection	Forklift Lifting Points Lifting Lug Dragging Hole Side Collision Avoidance Design Base Mounting Hole	Earth Protection Oil Pressure Warning/Downtime Oil Level Warning/Downtime Water Temperature Warning/Downtime Water Level Warning/Downtime Speed Warning/Downtime Anti-lightning Installation Secure Transportation External Emergency Stop Extinguisher Explosion-proof Lamp No-skid Floor	Genset Operation Manual Engine Operation Manual Alternator Operation Manual Genset Test Report Genset Circuit Diagram Genset Installation Drawings Maintenance Manual Maintenance Records
Engine	Machine Body			
Water-Cooled Engine Battery Battery Switch Draining Oil Pump Standard Air Filter Electronic Governor Radiator Core Guard Air Filter with Replaceable Cartridge Battery Charger	Ladder Silence Cotton Inside Canopy Central Lifting Point Simple Baseplate Forklifts			



Optional Configuration

Alternator	Control System	Fuel System	Lubrication System	Cooling System
PMG Anti-condensation Heater Winding Temperature Measurement	PLC-920 Control System PLC-8610 Control System Leak Protection Device	External Fuel Filling Device Fuel Level Gauge Fuel Three-Way Valve Auto Refilling Diesel System	Auto Refilling Oil System Lube Oil Preheater	45°C Radiator 40°C Radiator Supplied with Coolant
Air intake system	Exhaust system	Voltage	Wheel Braking System	Safety protection devices
Forced Air Inlet System Intake Air Preheating System	Residential Silencer	415/240V 400/230V 380/220V 220-240V-SINGLE PHASE 220/127V 480/277V 440/254V	Trailer-Roadside Type Trailer-Off-Road Type Trailer Suspension System	RCD Protection Imbalanced Three-phase Warning/Downtime Spark-extinguishing Device Open the Door Shutdown Protection Rest Area
High-tech configuration	Optional configuration	Technical documents	Engine	
Remote Control Remote Communication and Diagnosis Remote Monitor Auto Start-Stop System Alert Message Notification Maintenance Cycle Notification	Three-way Catalytic Converter Engine Triple Painted Genset Parallel Installation External Fuel Tank SECC Base Frame Stainless Steel Exhaust System 4 Poles Circuit Breaker ATS Quick Connector Fuel Leaking Protection	Genset Parts Manual Engine Parts Manual Genset Tools Package	Jacket Water Heater 220/240V Oil Heater Block Heater Heavy Duty Air Filter	