

# SPECIFICATION



*Power Link the World*

## MODEL VR900XS-EU VR SERIES (FOR 50Hz DIESEL GENSET)

Revision: A2 (10/21)

To inquire the latest revision of  
document, visit our website at:  
[www.powerlinkworld.com](http://www.powerlinkworld.com)



**VR series**  
**VR900XS-EU**



**50 Hz @ 1500rpm,3-phase/4-wiring**

**1 Standards & Conditions**

**Design Standards**

The designs and the productions are in conformity with:

- Conformance Européenne (CE)
- ISO8528-5:2005
- GB/T2820.5-2009

**Environmental Operating Conditions**

- Installation place: Outdoors or indoors (well ventilated).
- Ambient temperature: -25°C to 45°C. The coolant heater is needed when the temperature is below 5°C
- Humidity: Less than 90%.
- Altitude: Below one thousand (1000) meters above sea level.

**Factory Inspection**

- Inspection items.
- Protection devices working test.
- Starting ability in normal temperature.
- 50% rated power load moment capability.
- Voltage deviation and speed variation: 0%, 25%, 50%, 75%, 100%, 110% Load.

**Painting Process**

- Painting process specifications and colors are based on the manufacturer's standard.
- The customer could also choose the color which the manufacturer offers.

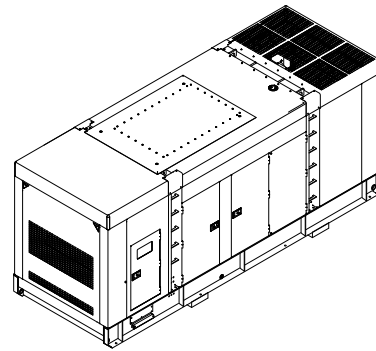
**2 General Features**

- PowerLink engine VR6-35TAG4
- Close coupled to PowerLink alternator PL6B
- Microprocessor control module XC762
- Main circuit breaker: 1600A
- Rotate speed governor: Mechanical governor
- Excitation System: Self Excited,SHUNT
- A.V.R.Model: SX440
- Key switch
- Emergency stop switch
- ATS (automatic transfer switch) receptacle
- Remote run connector

- 2x12V/150AH sealed for life maintenance free battery
- Lockable battery isolator switch
- Powder coated canopy
- 50°C radiator
- Oil pump on the engine
- Steel base frame with forkslots
- Vibration isolators between the engine/alternator and base frame
- Dry type air filter
- Base fuel tank with 7 hours running
- Drain points for fuel tank
- Operator's Manual / Specifications

**3 Equipment Specification**

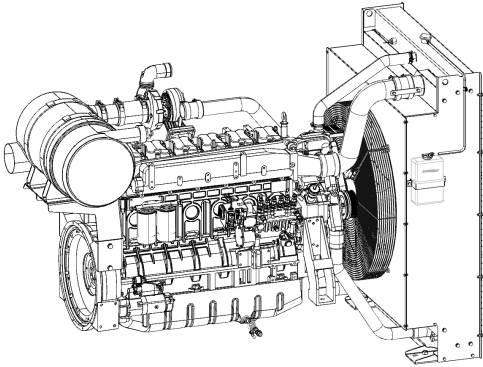
**General technical data**



Model..... VR900XS-EU  
 Tank capacity..... 1600L  
 Dry weight..... 7800kg  
 Sound pressure level @ 7m..... 77.0dBA  
 Dimensions L×W×H.....4695x1725x2557mm  
 Standby Power ..... 1000kVA/800kW  
 Prime Power ..... 900kVA/720kW

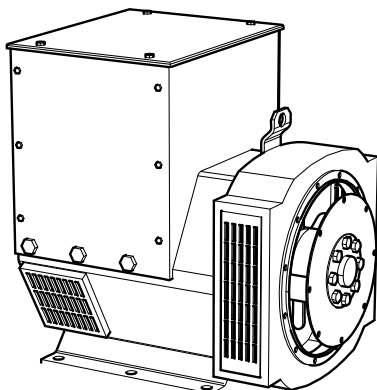
Voltage	380V	400V	415V		
Ampere	1367.4A	1299.1A	1252.1A		
<b>Genset Fuel Consumption</b>					
Frequency/Load	25%	50%	75%	100%	110%
50Hz (L/h)	57	112	160	220	243

## Dck Yf GrghYa



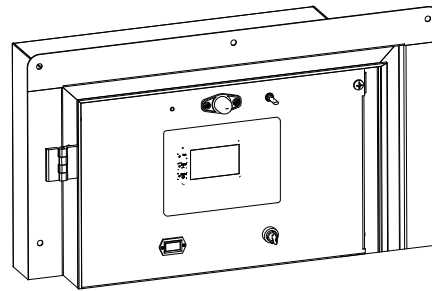
Engine Manufacturer/Brand .....	PowerLink
Engine Model .....	VR6-35TAG4
Dimensions L×W×H.....	2429x1387x2146mm
Dry Weigh (approx.) .....	4000kg
Number of Cylinders.....	6
Bore.....	186mm
Stroke .....	215mm
Displacement.....	35.0L
Compression Ratio .....	15.0
Type of injection.....	Direct injection
Intake System.....	Turbocharged and charge air cooled
Intake Resistance .....	≤5kPa
Cooling System .....	Water cooled
Fan .....	Pusher
Battery Voltage .....	24V
Type of Fuel.....	No.2 or ASTM D975
Type of Oil .....	API CF/SE or CCMCF4
Oil Capacity .....	80.0L
Type of Coolant .....	Glycol mixture
Coolant Capacity .....	90.0L
Back Pressure .....	≤10.1kPa
Standby Power .....	900kW
Prime Power .....	818kW

## Alternator



Alternator Manufacturer/Brand .....	PowerLink
Alternator Model .....	PL6B
Exciter.....	Brushless
Cooling Fan .....	Cast alloy aluminum
Windings.....	100% copper
Insulation Class .....	H
Winding Pitch.....	2/3
Terminals .....	12
Drip Proof .....	IP23
Altitude.....	≤1000m
Overspeed .....	2250rpm
Air Flow.....	N/A
Voltage Regulation .....	±1.0%
Total Harmonic TGH / THCat no load < 1.5 % - on load < 5%	
Telephone Interference.....	THF<2%;TIF<50

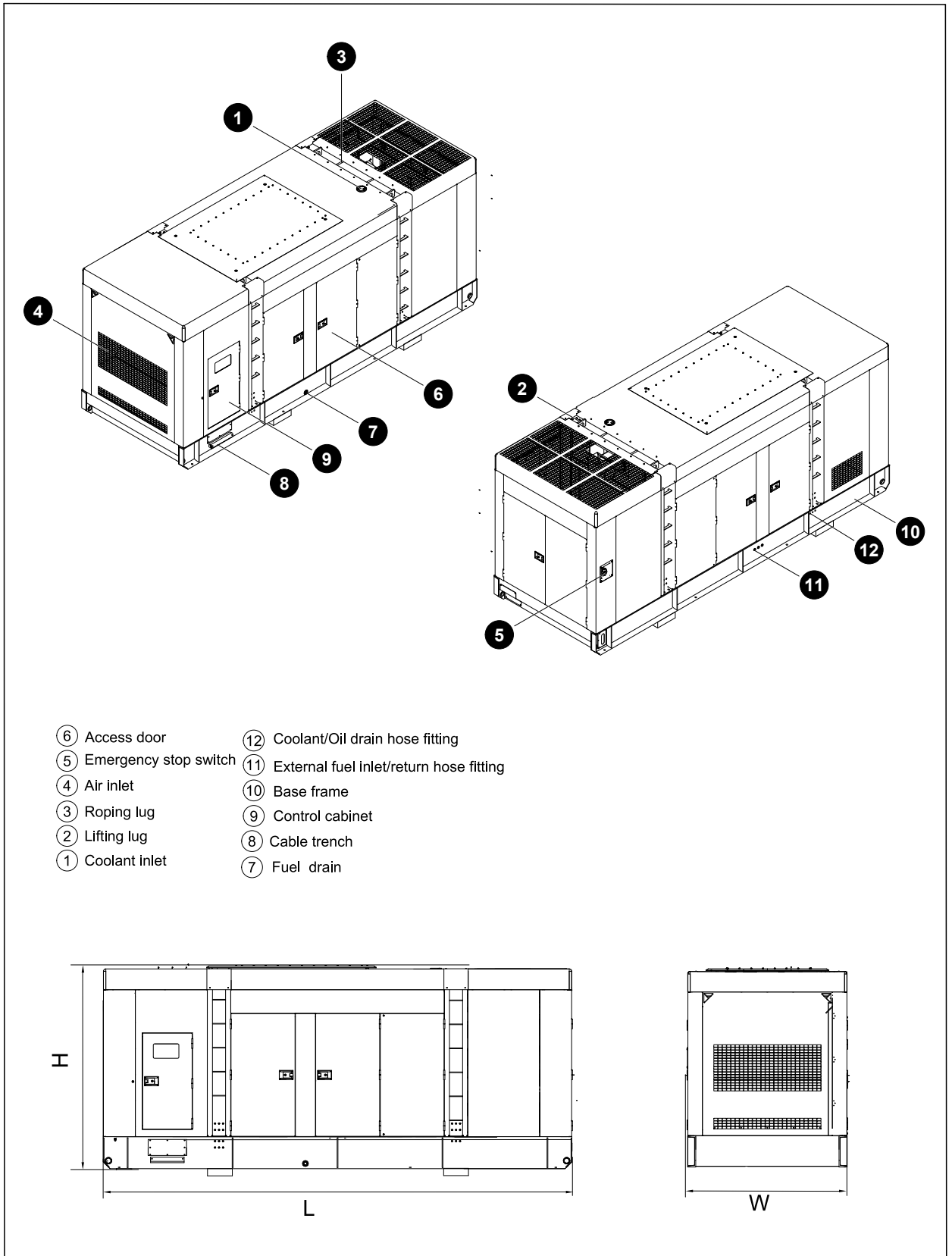
## XC762 Control System



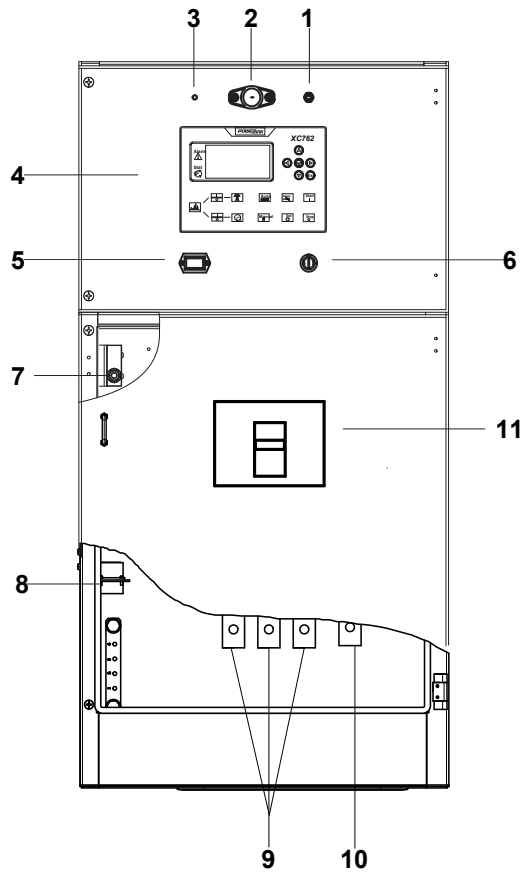
XC762 is an advanced control module based on micro-processor, containing all necessary functions for protection of the genset and the breaker control. It can monitor the mains supply, and automatically start the engine when the mains is abnormal. Accurately measure various operational parameters and display all values and alarms information on the LCD. In addition, the control module can automatically shut down the engine and indicate the engine failure.

- Microprocessor control, with high stability and credibility
- Monitoring and measuring operational parameters of the mains supply and genset
- Indicating operation status, fault conditions, all parameters and alarms
- Multiple protections; multiple parameters display, like pressure, temp. etc.
- Manual, automatic and remote work mode selectable
- Real time clock for time and date display, overall runtime display, 250 log entries
- Overall power output display
- Integral speed/frequency detecting, telling status of start, rated operation, overspeed etc.
- Communication with PC via RS485 OR RS232 interface, using MODBUS protocol

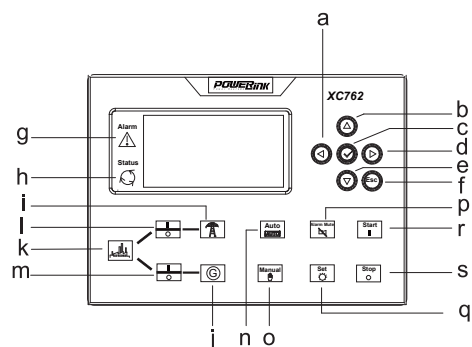
## 4 Overall Dimensions



## 5 Control System



**Control & field wiring cabinet**



**Control module**

Ref.	Description
1	Control cabinet lamp switch
2	Control cabinet lamp
3	Charge indicator
4	Control module
5	Time counter
6	Key switch
7	Limit switch
8	Mains input/Remote control/ATS connector
9	Live wire terminal
10	Neutral wire terminal
11	Main circuit breaker

a	Button (next page)
b	Button (increase value / previous item)
c	Button (accept)
d	Button (previous page)
e	Button (decrease value / next item)
f	Button (ESC)
g	Indicator (alarm)
h	Indicator (running)
i	Indicator (mains available)
j	Indicator (genset available)
k	Indicator (mains / genset ON)
l	Button (breaker ON / OFF)
m	Button (breaker ON / OFF)
n	Button (Auto mode)
o	Button (Manual mode)
p	Button (reset alarm)
q	Button (set parameters)
r	Button (start)
s	Button (stop)

# **SPECIFICATION**

**VR SERIES DIESEL GENSET**

**VR900XS-EU**

Revision: A2 (10/21)

To inquire the latest revision of  
document, visit our website at:  
[www.powerlinkworld.com](http://www.powerlinkworld.com)

