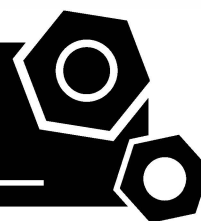


**Generator set**  
**Sound-proof type**  
**T125XS**

**SPECIFICATIONS**



# T3 series` T125XS



50 Hz @ 1500rpm,3-phase/5-wiring

## 1 Standards & Conditions

### Design Standards

The designs and the productions are in conformity with:

- Conformance Européenne (CE)
- ISO8528-5:2005
- GB/T2820.5-2009

### Environmental Operating Conditions

- Installation place: Outdoors or indoors (well ventilated).
- Ambient temperature: -25°C to 50°C. The coolant heater is needed when the temperature is below 5°C
- Humidity: Less than 80%.
- Altitude: Below one thousand (1000) meters.

### Factory Inspection

- Inspection items.
- Protection devices working test.
- Starting ability in normal temperature.
- 50% rated power load moment capability.
- Voltage deviation and speed variation: 0%, 25%, 50%, 75%, 100%, 110% Load.

### Painting Process

- Painting process specifications and colors are based on the manufacturer's standard.
- The customer could also choose the color which the manufacturer offers.

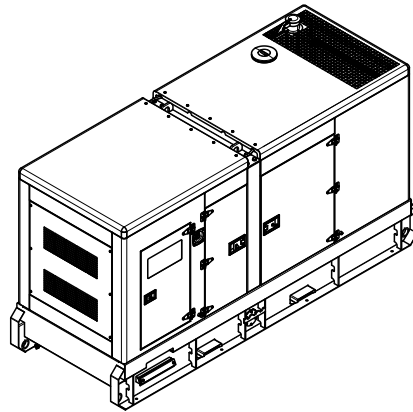
## 2 General Features

- Powerlink engine QSE4.3-G3
- Close coupled to LSA alternator LSA44.3L10
- Microprocessor control module XC762
- Main circuit breaker: 200A
- Speed governor: ECU
- Excitation System: Self excited
- A.V.R.Model: R250
- Key switch
- Emergency stop switch
- ATS (automatic transfer switch) receptacle
- 2x12V/70AH sealed for life maintenance free battery

- Lockable battery isolator switch
- Powder coated canopy
- 50°C radiator
- Oil pump on the engine
- Steel base frame with forklifts
- Vibration isolators between the engine/alternator and base frame
- Dry type air filter
- Base fuel tank for 14 hours running
- Drain points for fuel tank
- Operation Manual / Specifications

## 3 Equipment Specification

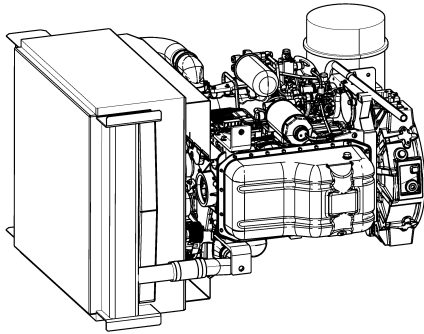
### General technical data



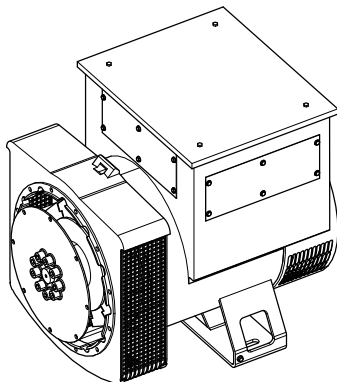
Model.....T125XS  
 Structure type ..... R  
 Tank capacity.....420L  
 Dry weight.....2225kg  
 Sound pressure level @7m ..... 71.6dB(A)  
 Emissions compliance .....CHINA STAGE III  
 Dimensions L×W×H.....3312x1250x1974mm  
 Standby Power .....138kVA/110kW  
 Prime Power..... 125kVA/100kW

Voltage	380V	400V	415V	440V	
Ampere	189.9A	180.4A	173.9A	164.0A	
<b>Genset Fuel Consumption</b>					
Frequency/Load	25%	50%	75%	100%	110%
50Hz (L/h)	N/A	14.8	21.5	29.4	32.8

## Dck Yf' GrghYa

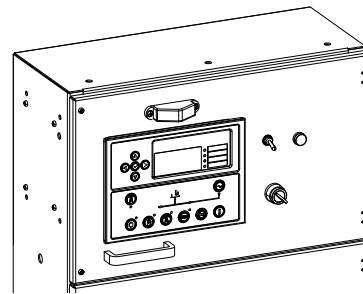


Engine Manufacturer/Brand.....	Powerlink
Engine Model.....	QSE4.3-G3
Dimensions L×W×H.....	1037×728×1024mm
Dry Weigh (approx.) .....	460kg
Number of Cylinders.....	4
Bore.....	105mm
Stroke .....	124mm
Displacement.....	4.3L
Compression Ratio .....	16
Type of Injection.....	High pressure common rail
Intake System.....	Turbocharged
Intake Resistance .....	≤8kPa
Cooling System .....	Water cooled
Fan .....	Pusher
Battery Voltage .....	24V
Type of Fuel.....	RF75-T-96 / DIN EN590 / BS2869 class A2
Type of Oil .....	API-CG4/ CH4
Oil Capacity .....	13L
Type of Coolant .....	Glycol mixture
Coolant Capacity .....	6.8L
Back Pressure .....	≤10kPa
Standby Power .....	140kW
Prime Power .....	125kW
Fuel Consumption(100%load) .....	29.4L/h



Alternator Manufacturer/Brand .....	Leroy Somer
Alternator Model .....	LSA44.3L10
Exciter.....	Brushless
Cooling Fan .....	Cast alloy aluminum
Windings.....	100% copper
Insulation Class .....	H
Winding Pitch.....	2/3
Terminals .....	12
Drip Proof .....	IP23
Altitude.....	≤1000m
Overspeed .....	2250 rpm
Air Flow.....	0.216m³/s(50HZ),0.281m³/s(60HZ)
Voltage Regulation .....	±1.0%
Total harmonic TGH / THCat no load < 1.5 % - on load < 5%	
Telephone Interference.....	THF<2%;TIF<50

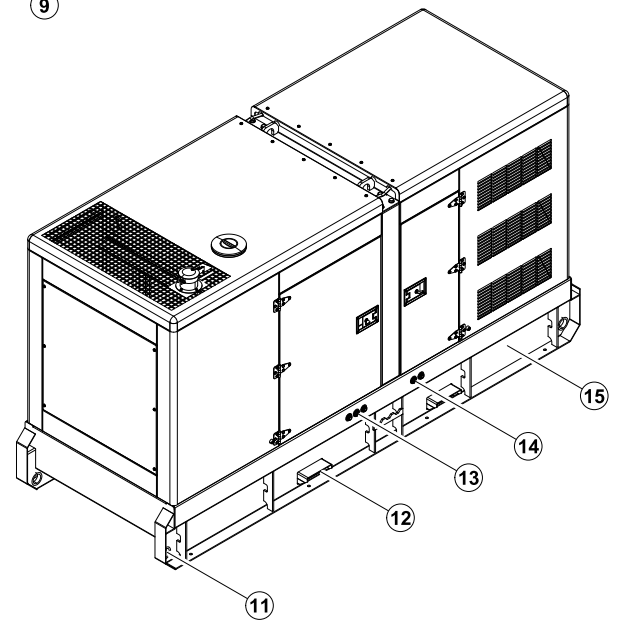
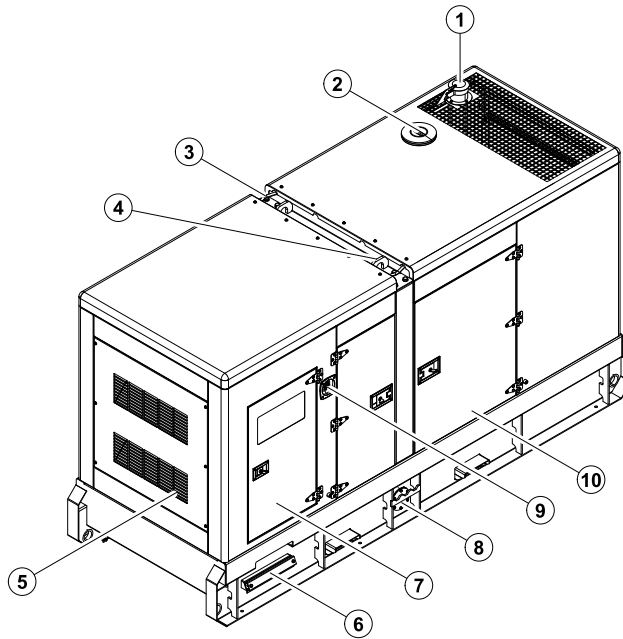
## XC762 Control System



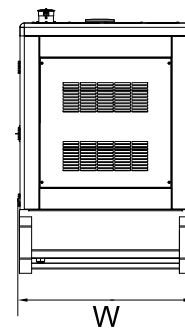
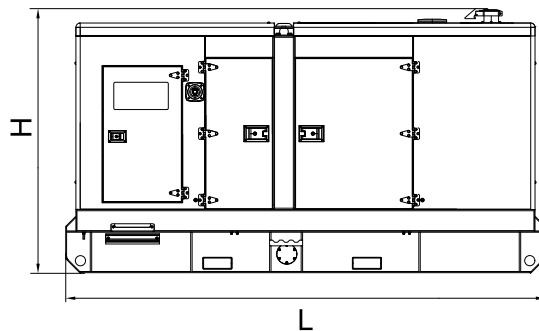
XC762 is an advanced control module based on micro-processor, containing all necessary functions for protection of the genset and the breaker control. It can monitor the mains supply, and automatically start the engine when the mains is abnormal. Accurately measure various operational parameters and display all values and alarms information on the LCD. In addition, the control module can automatically shut down the engine and indicate the engine failure.

- Microprocessor control, with high stability and credibility
- Monitoring and measuring operational parameters of the mains supply and genset
- Indicating operation status, fault conditions, all parameters and alarms
- Multiple protections; multiple parameters display, like pressure, temp. etc.
- Manual, automatic and remote work mode selectable
- Real time clock for time and date display, overall runtime display, 250 log entries
- Overall power output display
- Integral speed/frequency detecting, telling status of start, rated operation, overspeed etc.
- Communication with PC via RS485 OR RS232 interface, using MODBUS protocol

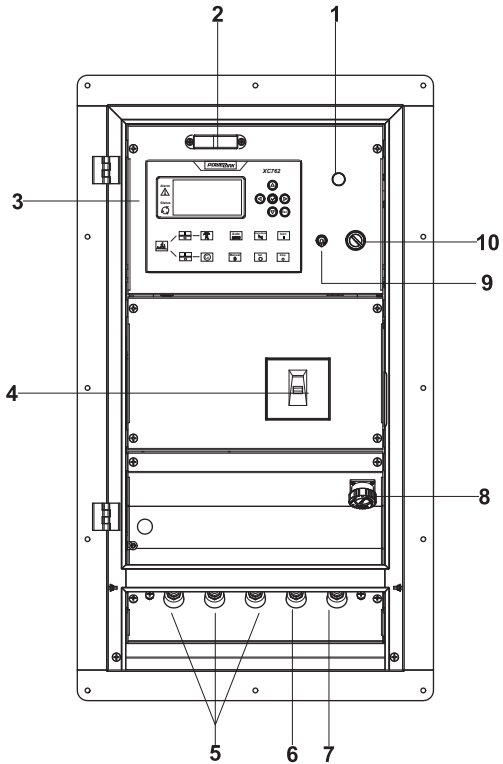
## 4 Overall Dimensions



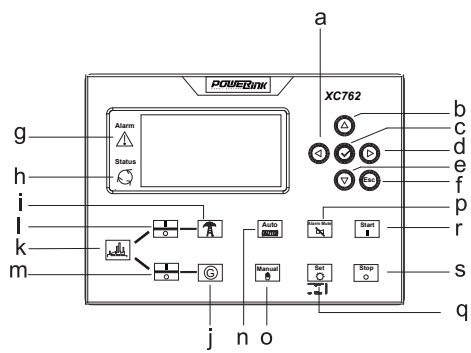
- |                      |   |
|----------------------|---|
| ⑧ Fuel drain         | ⑮ Base frame                              |
| ⑦ Control cabinet    | ⑭ Coolant / oil drain hose fitting        |
| ⑥ Cable trench       | ⑬ External fuel inlet/return hose fitting |
| ⑤ Air inlet          | ⑫ Fork lift channel                       |
| ④ Lifting lug        | ⑪ Tie down                                |
| ③ Roping lug         | ⑩ Access door                             |
| ② Coolant inlet      | ⑨ Emergency stop switch                   |
| ① Exhaust gas outlet |   |



## 5 Control System



**Control & field wiring cabinet**



**Control module**

Ref.	Description
1	Charge indicator
2	Control panel lamp
3	XC762 control module
4	Main circuit breaker
5	Live wire terminals
6	Neutral wire terminal
7	Ground wire terminal
8	Mains input/ remote/AMF communication connector
9	Control panel lamp switch
10	Key switch

a	Button (next page)
b	Button (increase value / previous item)
c	Button (accept)
d	Button (previous page)
e	Button (decrease value / next item)
f	Button ( ESC)
g	Indicator (alarm)
h	Indicator (running)
i	Indicator (mains available)
j	Indicator (genset available)
k	Indicator (mains / genset ON)
l	Button (breaker ON / OFF)
m	Button (breaker ON / OFF)
n	Button (Auto mode)
o	Button ( Manual mode)
p	Button ( reset alarm)
q	Button ( set parameters)
r	Button ( start)
s	Button ( stop)

100030530-A-E
---------------

11.2019
---------

<http://www.powerlinkworld.com>

*Specification may change without prior notice. For more info.,  
contact Power Link or your local distributors please.*