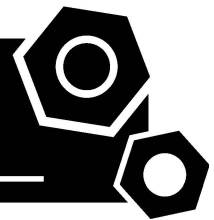


Generator set
Sound-proof type
GMS200CS

SPECIFICATIONS



1 Standards & Conditions

Design Standards

The designs and the productions are in conformity with:

- Conformance European (CE)
- China Compulsory Certification (CCC)
- TLC Quality Certification (TLC)
- ISO8528-1995
- GB/T2820-1997

Environmental Operating Conditions

- Installation place: Outdoors or indoors (well ventilated).
- Ambient temperature: -25°C to 45°C. The coolant heater is needed when the temperature is below 5°C
- Humidity: Less than 80%.
- Altitude: Below one thousand (1000) meters above sea Level.

Factory Inspection

- Inspection items.
- Protection devices working test.
- Starting ability in normal temperature.
- 50% rated power load moment capability.
- Voltage deviation and speed variation: 0%, 25%, 50%, 75%, 100%, 110% Load.

Painting Process

- Painting process specifications and colors are based on the manufacturer's standard.
- The customer could also choose the color which the manufacturer offers.

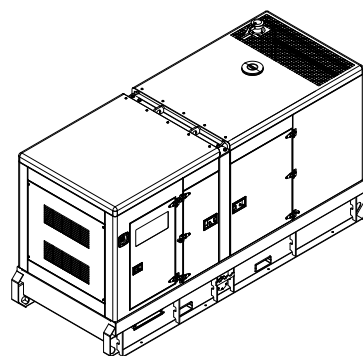
2 General Features

- Cummins engine 6CTAA8.3-G2
- Close coupled to a Leroy Somer alternator LSA44.3VL14
- Microprocessor control module PLC-7420
- NADER main circuit breaker: 3-Phase 315A
- Rotate speed governor: Electrical governor S6700E
- Excitation system: PMG
- A.V.R model: MX341
- Key switch

- Emergency stop switch
- ATS (automatic transfer switch) receptacle
- 2x12V sealed for life maintenance free battery
- Lockable battery isolator switch
- Powder coated canopy
- 50°C radiator
- Oil pump on the engine
- Steel base frame with forklifts
- Vibration isolators between the engine/alternator and base frame
- Dry type air filter
- Base fuel tank for 8 hours running
- Drain points for fuel tank
- Operation Manual / Parts List/ Specifications

3 Equipment Specification

General technical data

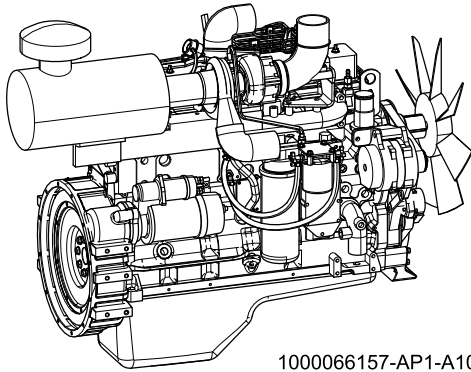


1000008863-AP1-B4

Model.....	GMS200CS		
Structure type	R		
Tank capacity.....	510L		
Dry weigh.....	2699kg		
Noise level @7m	69.5dBA		
Dimensions L×W×H.....	3592×1300×1840mm		
Standby Power	220kVA/176kW		
Prime Power	200kVA/160kW		

Voltage	380V	400V	415V
Ampere	303.9A	288.7A	278.2A

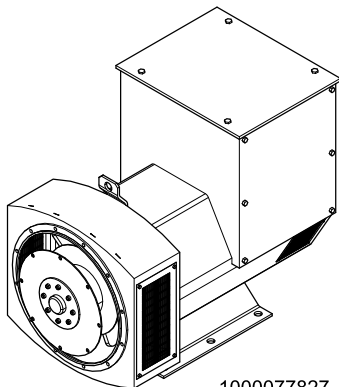
Diesel Engine



1000066157-AP1-A10

Engine Manufacturer/Brand	Cummins
Engine Model	6CTAA8.3G2
Dimensions L×W×H	N/A
Dry Weigh (approx.)	702kg
Number of Cylinders	6
Bore	114mm
Stroke	135mm
Displacement	8.3L
Compression Ratio	N/A
Type of injection	Direct injection
Intake System	Turbocharged, water-to-air charge cooled
Intake Resistance	≤6.28kPa
Cooling System	Water cooled
Fan	Pusher
Battery Voltage	12/24V
Type of Fuel	Diesel
Type of Oil	ACEA E2, API CF, CF-4, CG-4
Oil Capacity	18.9L
Type of Coolant	Glycol mixture
Coolant Capacity	45.3L
Back Pressure	≤10.1kPa
Standby Power203kW
Continuous Power183kW
Fuel Consumption(100%load)205g/kW.h

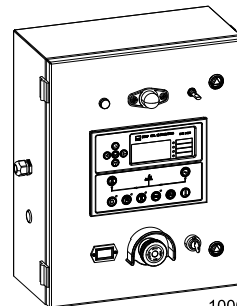
Alternator



1000077827-AP1-A1

Alternator Manufacturer/Brand	Leroy Somer
Alternator Model	LSA44.3VL14
Exciter	Brushless
Cooling Fan	Cast alloy aluminum
Windings	100% copper
Insulation Class	H
Winding Pitch	2/3
Terminals	12
Drip Proof	IP23
Altitude	≤1000m
Overspeed	2250rpm
Air Flow	0.29m³/s(50Hz),0.34m³/s(60Hz)
Voltage Regulation	±0.5%
Total Harmonic TGH / THC at no load < 2 % - on load < 5%	
Telephone Interference	THF<2%;TIF<50

PLC-7420 Control System



1000246165-AP1-A1

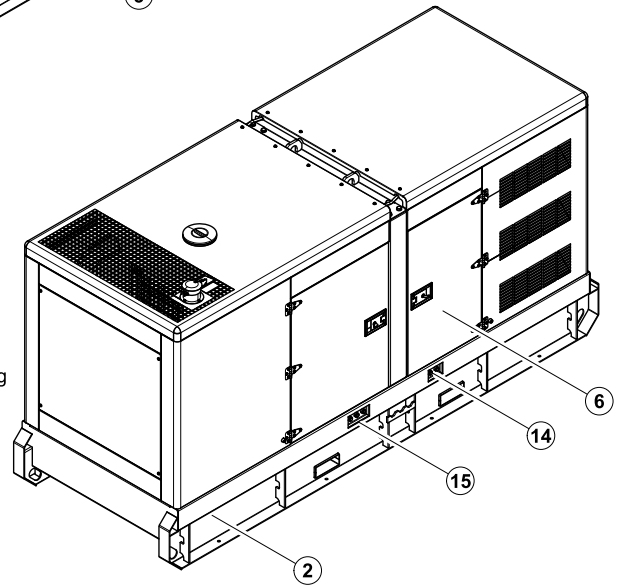
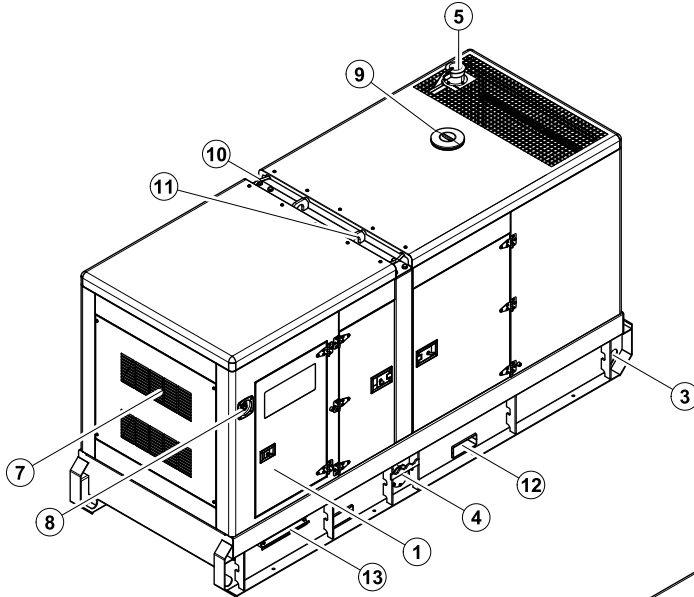
PLC-7420 is an advanced control module based on micro-processor, containing all necessary functions for protection of the genset and the breaker control. It can monitor the mains supply, and automatically start the engine when the mains is abnormal. Accurately measure various operational parameters and display all values and alarms information on the LCD. In addition, the control module can automatically shut down the engine and indicate the engine failure.

- Microprocessor control, with high stability and credibility
- Monitoring and measuring operational parameters of the mains supply and genset
- Indicating operation status, fault conditions, all parameters and alarms
- Multiple protections; multiple parameters display, like pressure, temp. etc.
- Manual, automatic and remote work mode selectable
- Real time clock for time and date display, overall runtime display, 250 log entries
- Overall power output display
- Integral speed/frequency detecting, telling status of start, rated operation, overspeed etc.
- Communication with PC via RS485 OR RS232 interface, using MODBUS protocol

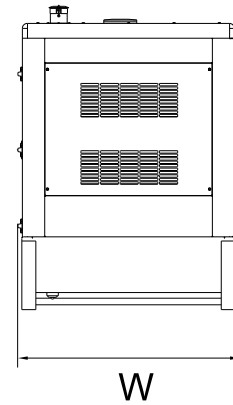
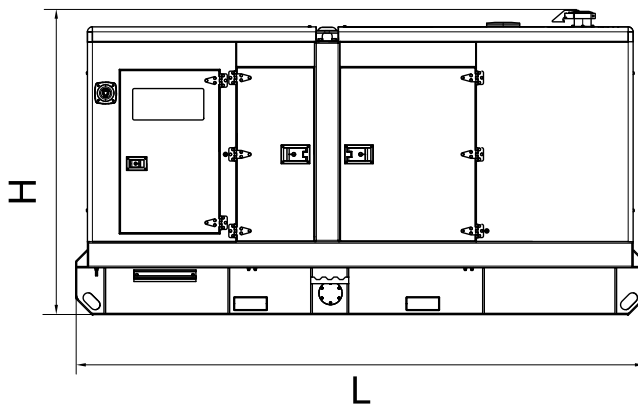
4 Overall Dimensions

1000008863-DR1-B4

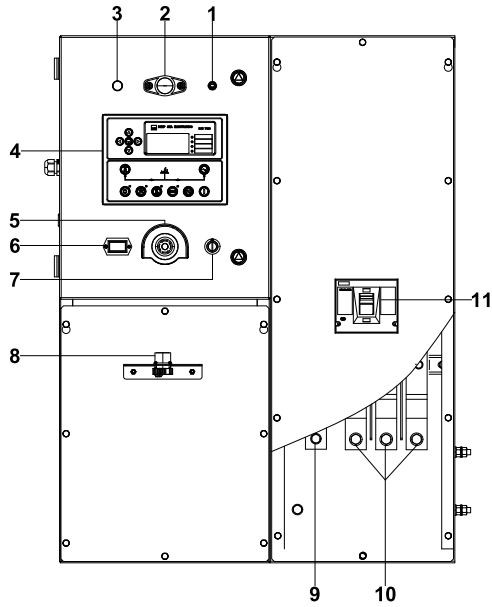
Dry weight	2699kg
Fuel tank capacity	510L
Dimensions L x W x H	3592x1300x1840mm



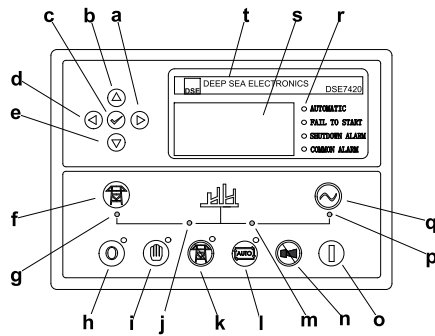
- ⑧ Emergency stop switch
- ⑦ Air inlet
- ⑥ Access door
- ⑤ Exhaust gas outlet
- ④ Fuel drain
- ③ Tie down
- ② Base frame
- ① Control cabinet
- ⑮ External fuel inlet/return hose fitting
- ⑭ Coolant drain hose fitting
- ⑬ Oil drain hose fitting
- ⑫ Cable trench
- ⑪ Fork lift channel
- ⑩ Lifting lug
- ⑨ Roping lug
- ⑧ Coolant inlet



5 Control System



Control & field wiring cabinet



Control module

Ref.	Description
1	Control cabinet lamp switch
2	Charge indicator
3	Control panel lamp
4	Control module
5	Emergency stop switch
6	Time counter
7	Key switch
8	Mains input/Remote control/ATS communication connector
9	Neutral wire terminal
10	Live wire terminals
11	Main circuit breaker

Ref.	Description
a	Button (next page)
b	Button (increase value / previous item)
c	Button (accept)
d	Button (previous page)
e	Button (decrease value / next item)
f	Button (transfer the load to the mains supply, when in Manual mode only)
g	Mains supply available LED
h	Stop / Reset button
i	Manual button (Manual control mode)
j	Mains supply on load LED
k	Test button (Test mode)
l	Auto button (Auto mode)
m	Genset on load LED
n	Mute/Lamp test button
o	Start button (Manual)
p	Genset available LED
q	Button (transfer the load to the genset, when in Manual mode only)
r	Alarm LED (4 alarm items)
s	LCD display
t	Control module name

100008863-B4-E

03.2011
